

# 21XL3000

21" - 3000 W - 98 dB



## NOMINAL SPECIFICATIONS

|                             |                          |
|-----------------------------|--------------------------|
| Nominal Diameter            | 535 mm (21 in)           |
| Overall Diameter            | 547 mm (21.54 in)        |
| Bolt Circle Diameter        | 527 mm (20.75 in)        |
| Baffle Cutout Diameter      | 508 mm (20.00 in)        |
| Depth                       | 274 mm (10.79 in)        |
| Flange and gasket Thickness | 16 mm (0.63 in)          |
| <b>Net Weight</b>           | <b>21.5 kg (47.4 lb)</b> |
| Shipping Box                | 580 x 580 x 323 mm       |
| (Single Carton Box)         | (22.8 x 22.8 x 12.7 in)  |
| Shipping Weight             | 23.5 kg (51.8 lb)        |

## TECHNICAL PARAMETERS

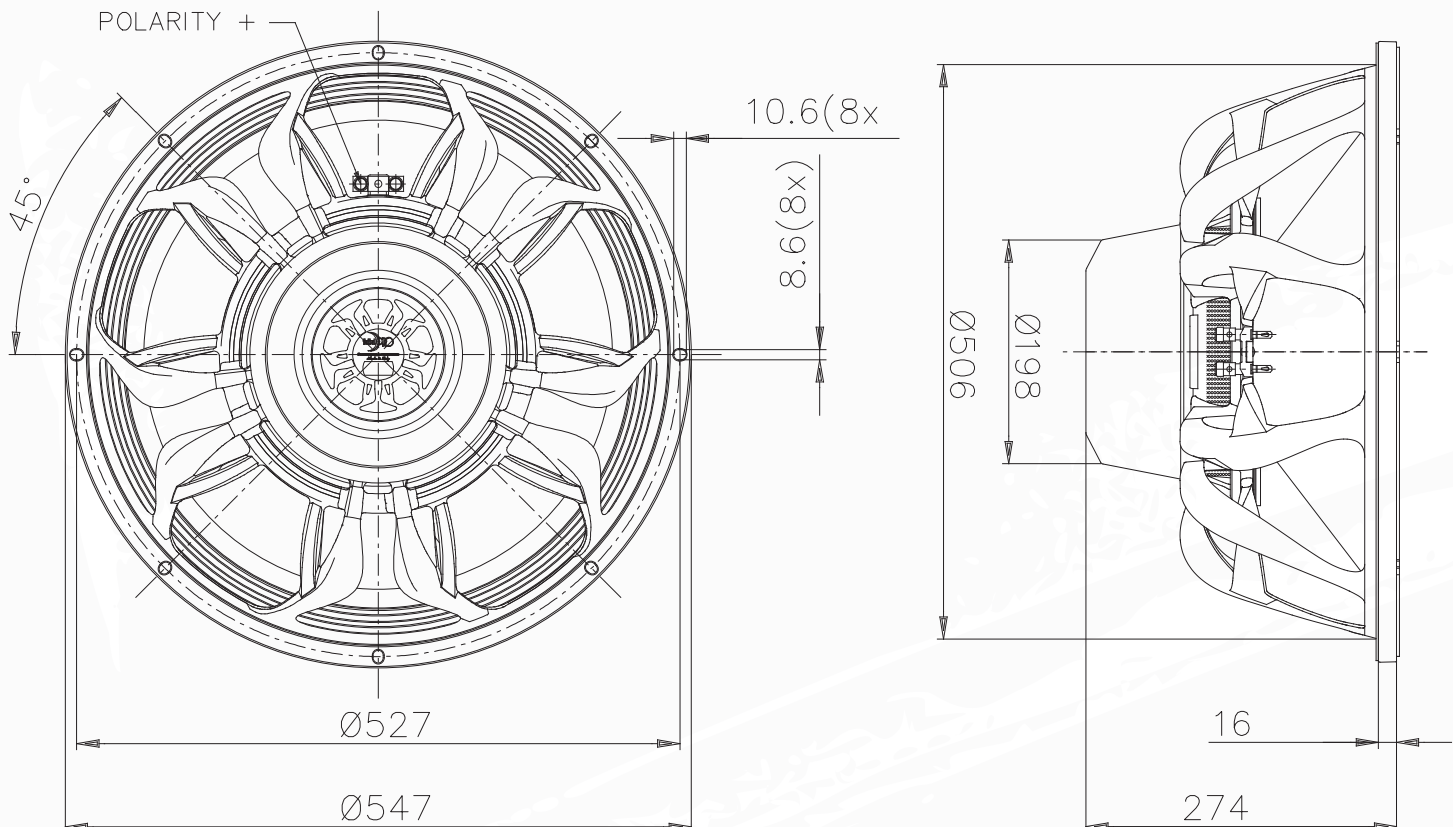
|                                      |   |
|--------------------------------------|---|
| Nominal Impedance                    | 8 Ω   |
| Minimum Impedance                    | 7 Ω   |
| AES Power Handling (1)               | 3000 W  |
| <b>Maximum Power Handling (2)</b>    | <b>6000 W</b>                                     |
| <b>Sensitivity (1W/1m)</b>           | <b>98 dB</b>                                      |
| Frequency Range                      | TBD   |
| <b>Voice Coil Diameter</b>           | <b>165 mm (6.5 in)</b>                            |
| Winding Material                     | Al  |
| Former Material                      | Glass Fiber                                       |
| Winding Depth                        | 40 mm (1.57 in)                                   |
| <b>Magnetic Gap Depth</b>            | <b>14 mm (0.55 in)</b>                            |
| Flux Density                         | 1.4 T   |
| Magnet                               | Neodymium Ring                                    |
| Basket Material                      | Aluminum  |
| Demodulation                         | Aluminum Ring                                     |
| Cone Surround (3)                    | Triple Roll                                       |
| NET Air Volume filled by Loudspeaker | 13.0 dm <sup>3</sup> (0.459 ft <sup>3</sup> )     |
| Spider Profile                       | 2x non-adjacent symmetrical constant height waves |

## THIELE & SMALL PARAMETERS

|                           |  |
|---------------------------|--|
| Fs                        | 30 Hz  |
| Re                        | 5.9 Ω  |
| Qes                       | 0.25   |
| Qms                       | 8.8  |
| Qts                       | 0.25   |
| Vas                       | 284.6 dm <sup>3</sup> (10.05 ft <sup>3</sup> ) |
| Sd                        | 1744 cm <sup>2</sup> (270.32 in <sup>2</sup> ) |
| Xmax (4)                  | 17.67 mm                                       |
| Xdamage (5)               | 40 mm  |
| Mms                       | 420.0 g  |
| Bl                        | 43.0 N/A                                       |
| Le                        | 1.25 mH  |
| Mmd                       | 337.7 g  |
| Cms                       | 0.07 mm/N                                      |
| Rms                       | 9.0 kg/s                                       |
| η <sub>o</sub> (Eta Zero) | 3.0 %  |
| EBP                       | 119 Hz   |

### NOTES:

- (1) 2 Hours Test According to AES 2-1984 Rev. 2003
- (2) Maximum power is defined as 3dB greater than nominal power
- (3) Treated Polycotton
- (4) Xmax = [(Winding Depth - magnetic gap depth)/2] + (magnetic gap depth / 3)
- (5) Maximum excursion before permanent damage





PROFESSIONAL LOUDSPEAKERS

— — *Made in Italy*

# 21XL3000

21" - 3000 W - 98 dB - 8Ω

